

Preparing the T500RS Pedals for VR3 installation.

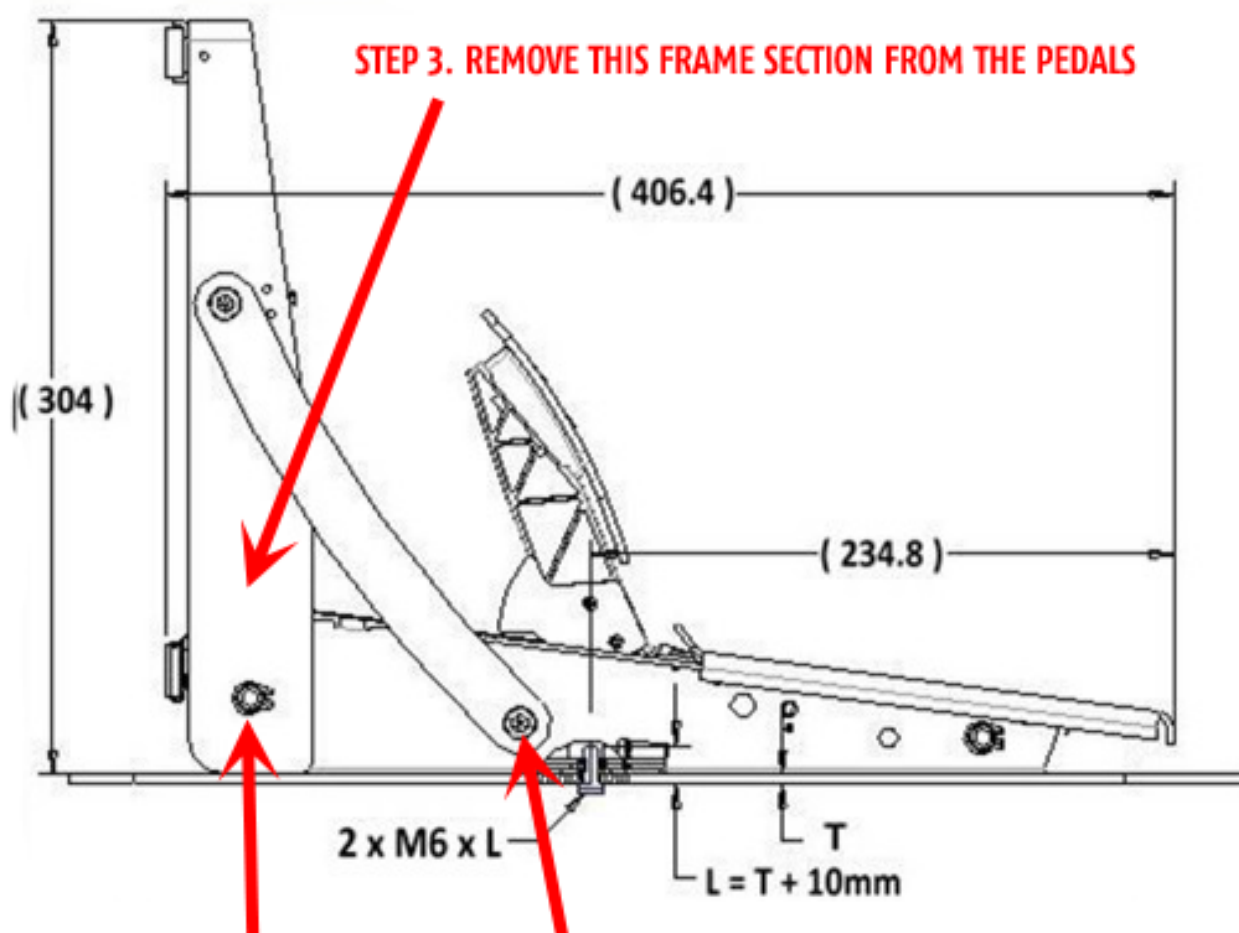
You will require the following tools:



5mm Allen (Hex) Key



Circlip Pliers



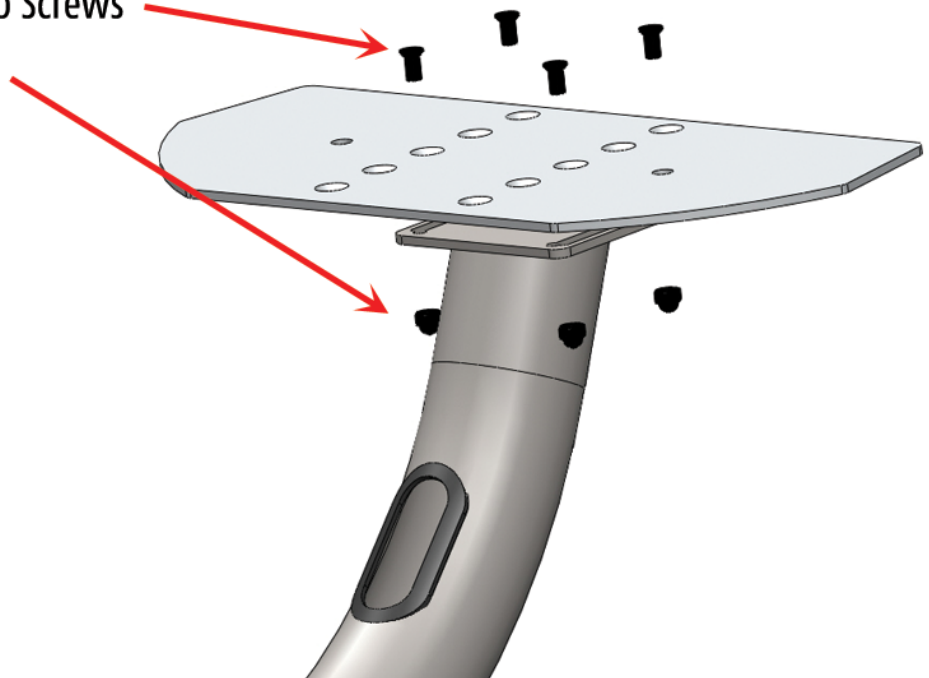
Installing the T500RS Adapter Kit

Step 1.

Mount the Steering Wheel Plate to the swan neck using:

4 - M5x10 Countersunk Cap Screws

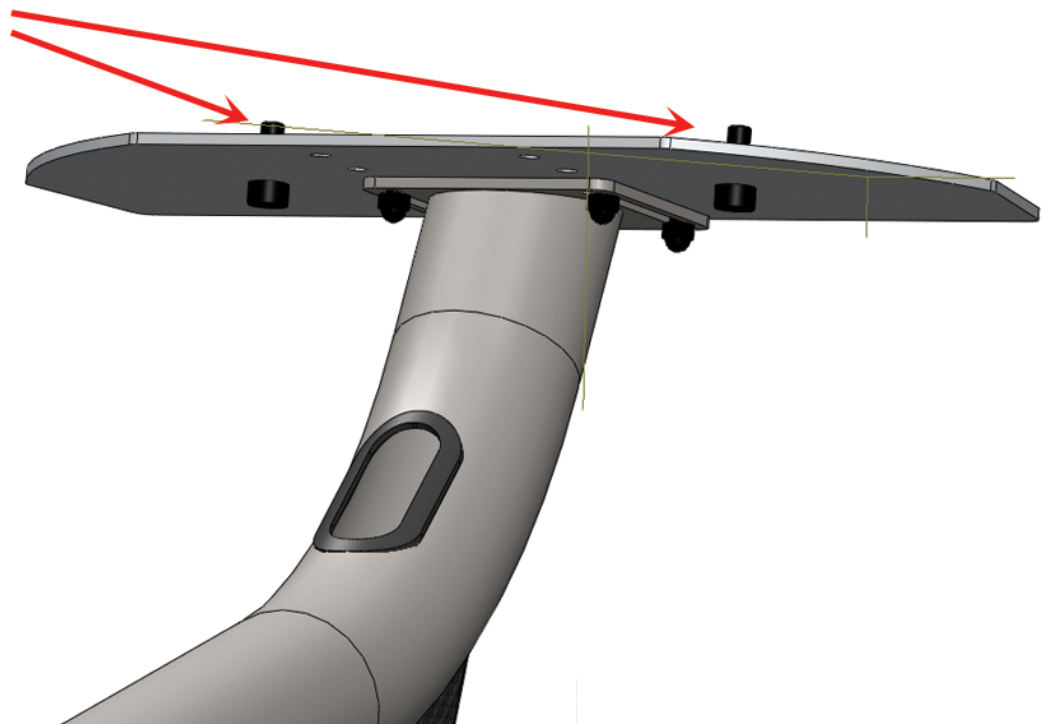
4 - M5 Dome Headed Nuts



Step 2.

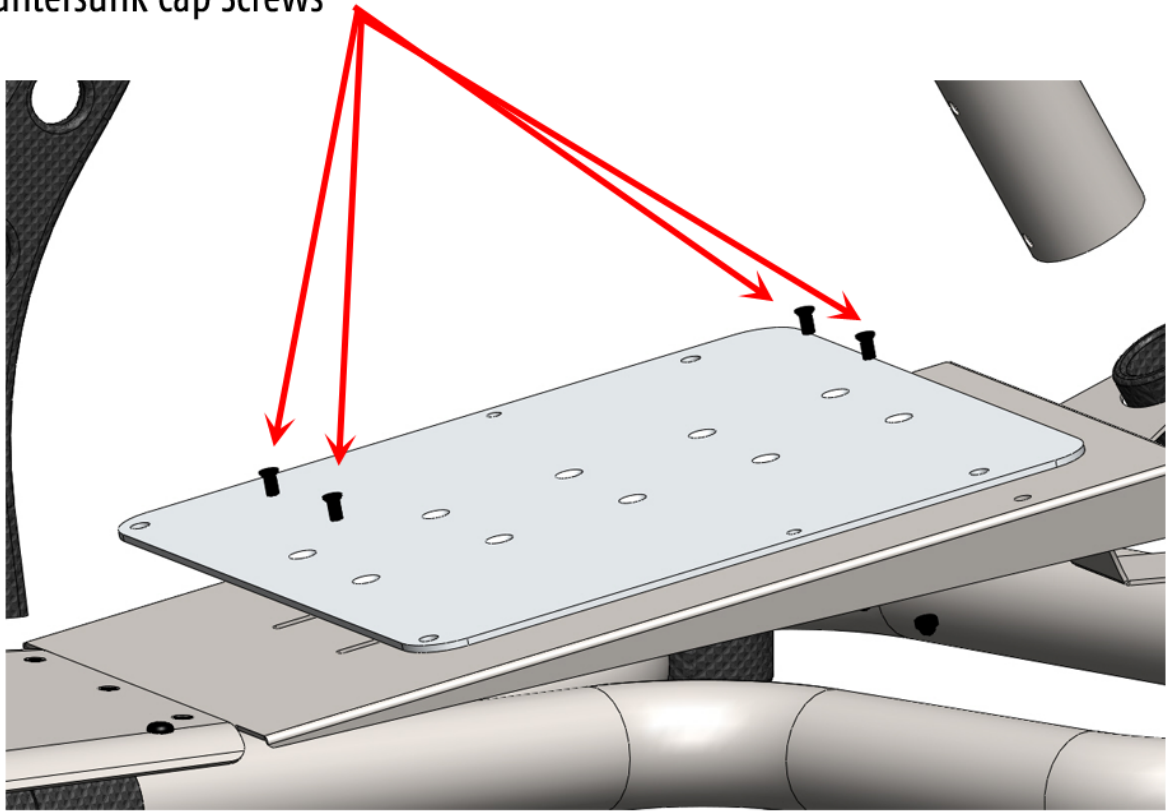
Mount the Steering Wheel to the plate using:

2 - M6x16 Cap Screws

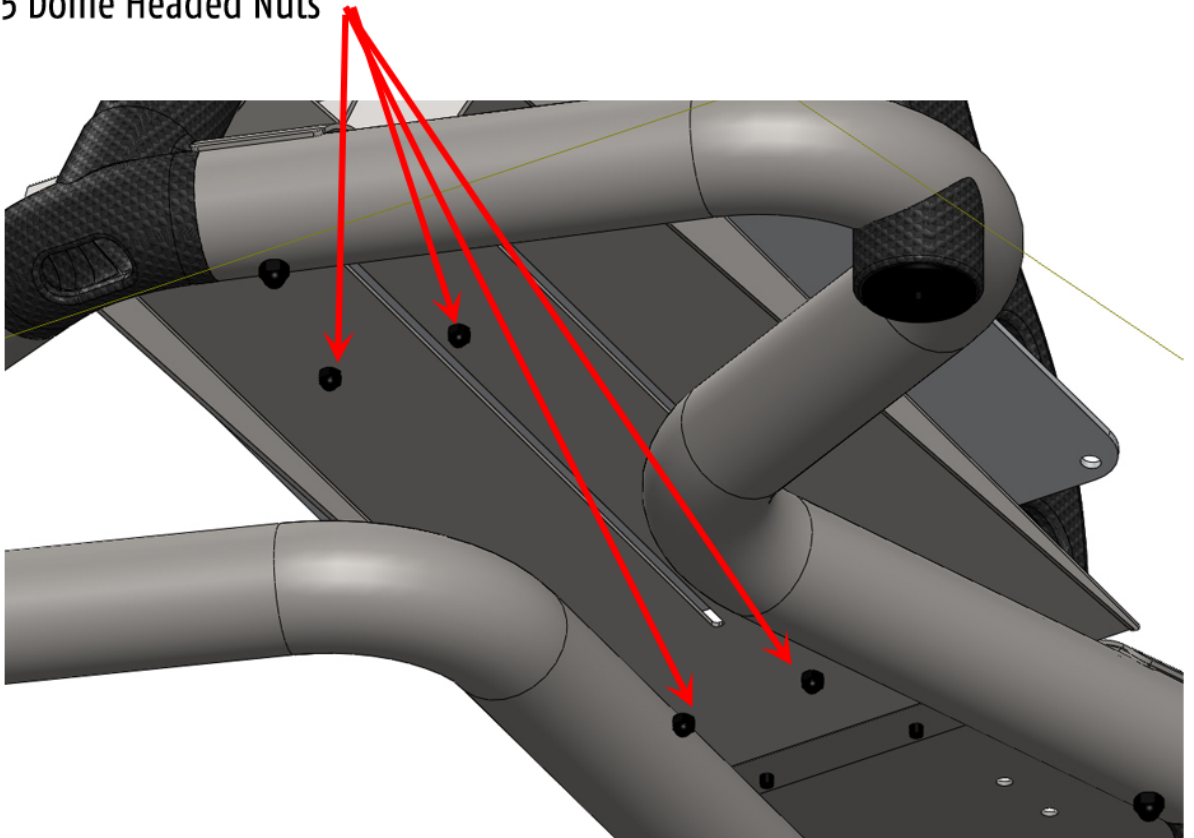


Step 3.

Install the Pedal Mounting Plate using:
4 - M5x10 Countersunk Cap Screws



And 4 - M5 Dome Headed Nuts



Step 4.

Mount the Pedals to the Pedal Mounting Plate using:
2 - M6x16 Cap Screws

